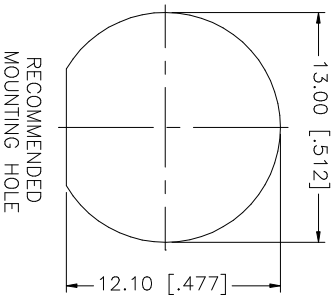
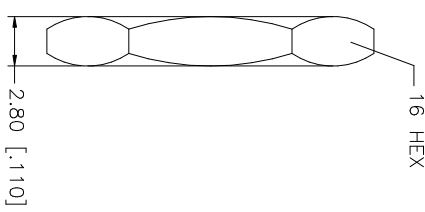
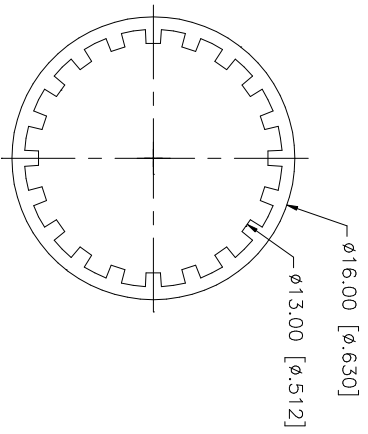
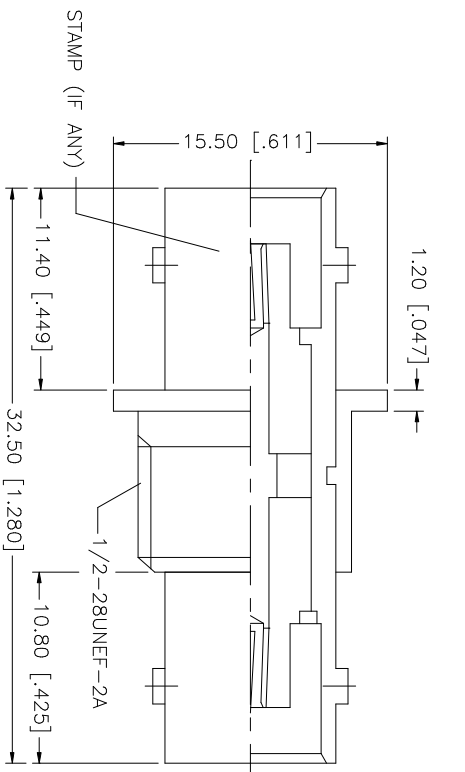


REV.	DATE	DESCRIPTION
NC	01/14/03	INITIAL RELEASE



NOTE:
1. MAX. PANEL THICKNESS = 5.5mm

QTY	FINISH	MATERIAL	DESCRIPTION
1	NICKEL	BRASS	HEX NUT
1	NICKEL	BRASS	LOCK WASHER
1	NICKEL	BRASS	LOCK RING
1	GOLD	PHOS. BRONZE	CONTACT PIN
1	NATURAL	DELIN	INSULATOR
1	WHITE	DELIN	INSULATOR
1	NICKEL	BRASS	BODY

UNLESS OTHERWISE SPECIFIED, DIMENSIONS ARE IN INCHES AND FOR CUSTOMER REFERENCE ONLY.	UNLESS OTHERWISE SPECIFIED, DIMENSIONS ARE IN MILLIMETERS ONLY.
TOLERANCES FOR MILLIMETERS ARE:	TOLERANCES FOR INCHES ARE:
0.5 - 8mm ± 0.20mm	0.125 - 0.250 ± 0.005"
8 - 30mm ± 0.40mm	0.250 - 0.375 ± 0.007"
30 - 120mm ± 0.50mm	0.375 - 1.180 ± 0.015"
UNLESS OTHERWISE SPECIFIED, DIMENSIONS FOR INCHES ARE:	UNLESS OTHERWISE SPECIFIED, DIMENSIONS FOR MILLIMETERS ARE:
0.020 - 0.315 ± 0.007"	0.020 - 8.0 ± 0.10mm
0.315 - 1.180 ± 0.015"	8.0 - 25.4 ± 0.20mm
1.180 - 4.724 ± 0.020"	25.4 - 101.6 ± 0.30mm

APPROVALS	DATE
DRAWN G.R.S.	01/14/03
CHECKED	
ISSUED	

CAD FILE	DWG. NO.	REV.	SIZE	SCALE
C:/112/112444.DWG	112444.DWG	NC	A	NA

PART DESCRIPTION	PART NO.
Amphenol Connex BNC FEMALE TO FEMALE BULKHEAD ISOLATED ADAPTER	112444